



高霖通訊科技有限公司
Go-Link Technology Co., Ltd.

產品規格/承認書
PRODUCT SPECIFICATION / APPROVAL SHEET

產品 :
Product : Ethernet Over Any Cable Module
(Coaxial / cat-5 / phone / speaker / DC or AC power cable)

型號
Model No. : MIPE-50102 (500Mbps)

客戶
Customer :

客戶型號
Customer Model No. :

本承認書內容若貴公司確認無誤，
請於下方承認欄內簽章。
**Please confirm your acceptance of this
approval sheet by authorized signatures.**

承認欄

Approved Signature

版本 (Version)

V1.1

日期 (Date)

2018/12/26

CONTENTS

1. General	3
2. Environmental Specification	3
3. Electrical Characteristics	3
3.1 DC Characteristics	3
4. Pin Assignment	4
5. Mechanical Specification	6
5.1 Dimension	6
6. Application Circuit	7

1. General

- Integrated 10/100 802.3az Ethernet PHY
- Compatible with 2MHz to 68MHz Channel
- 500Mbps PHY Rate Max.
- Node support : 8 Active / 16 Total
- Application :
 - (1) IP Extender over coaxial cable.
 - (2) IP Extender over cat-5 / cat-6 cable.
 - (3) IP Extender over Any 2 Wire cable (phone cable, speaker cable, DC power cable).
 - (4) IP Extender over AC Power Line.

2. Environmental Specification

No.	Items	Min.	Typ.	Max.	Unit.
1	Operating Temperature	-10	-	+60	°C
2	Storage Temperature	-20	-	+70	°C

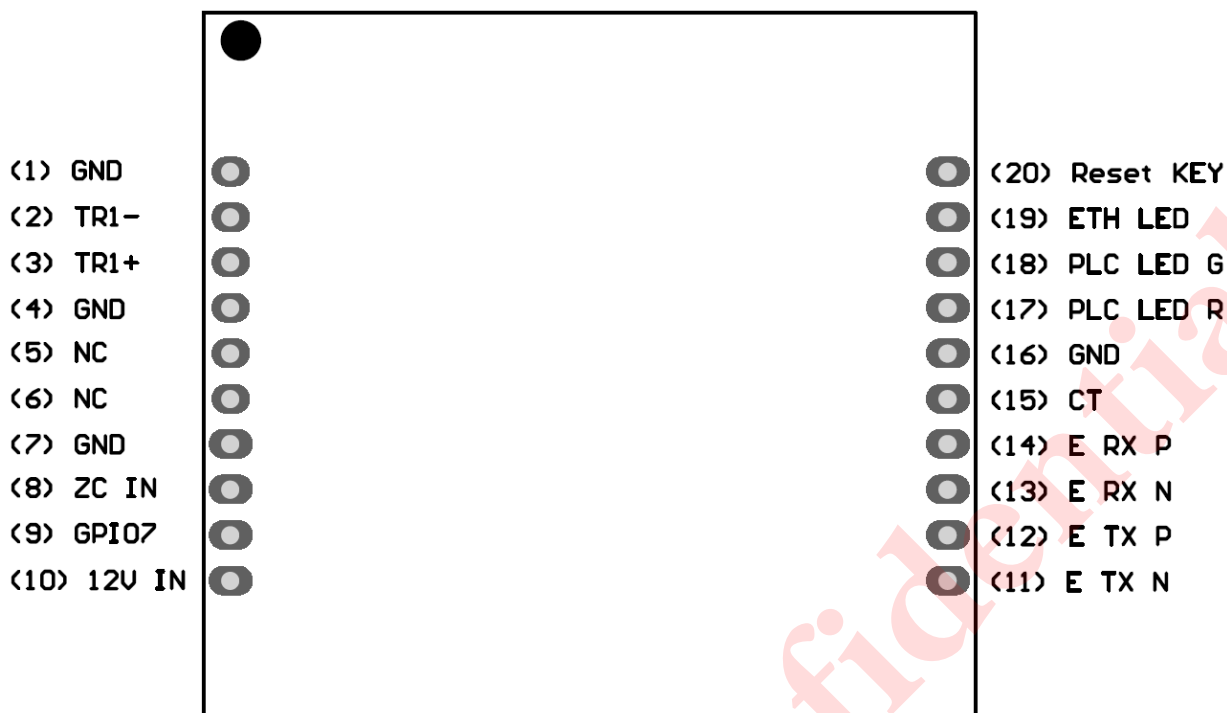
3. Electrical Characteristics

Testing Condition @ 25°C

3.1 DC Characteristics

No.	Items	Min.	Typ.	Max.	Unit.
1	Supply Voltage	7.5	12	14	V _{DC}
2	Current Consumption @12V	120	-	190	mA

4. Pin Assignment

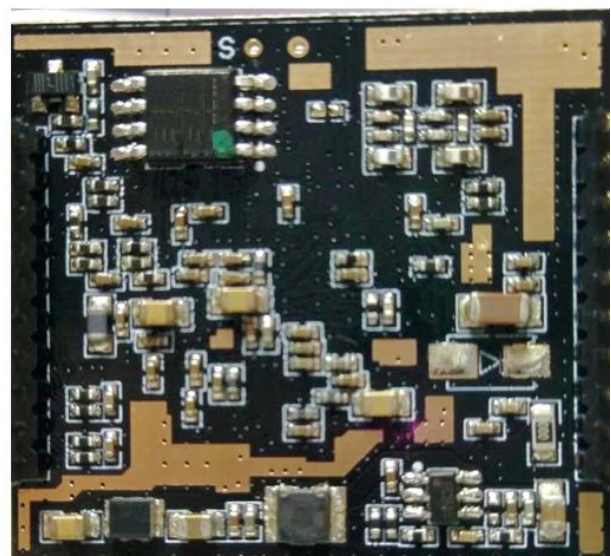
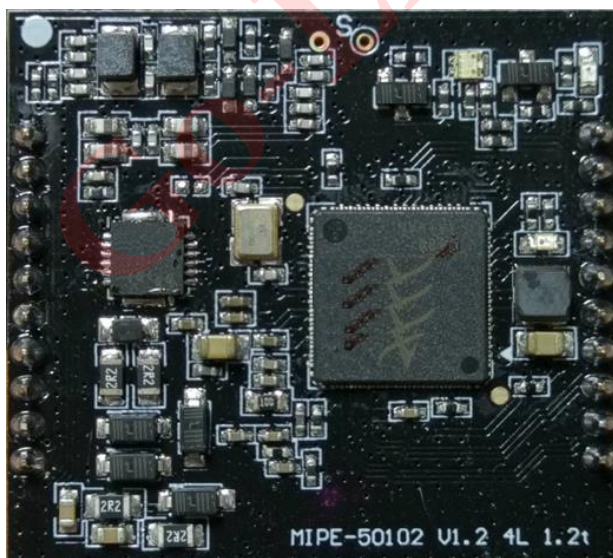


Pin No.	Name	I / O	Function Description
1	GND	-	Ground
2	TR1-	I	Negative differential input
3	TR1+	I	Positive differential input
4	GND	-	Ground
5	NC	-	-
6	NC	-	-
7	GND	-	Ground
8	ZC IN	I	Zero Cross Input : Minimum : 100mVp-p AC coupled maximum : 3.3Vp-p AC coupled
9	GPIO7	O	NO function (reserved)
10	12V IN	I	12V DC Input Pin
11	E TX N	O	Ethernet PHY TX Negative
12	E TX P	O	Ethernet PHY TX Positive

13	E RX N	I	Ethernet PHY RX Negative
14	E RX P	I	Ethernet PHY RX Positive
15	CT	O	2.0V For Transformer Center Type
16	GND	-	Ground
17	PLC LED R	O	Communication Quality Status Red LED *Note 1
18	PLC LED G	O	Communication Quality Status Green LED *Note 1
19	ETH LED	O	Ethernet Status LED
20	Reset KEY	I	Pairing / Reset Key 1 ~ 3 Sec. : Pairing 5 ~ 7 Sec. : Remove Pairing 10 ~ 14 Sec. : Reset

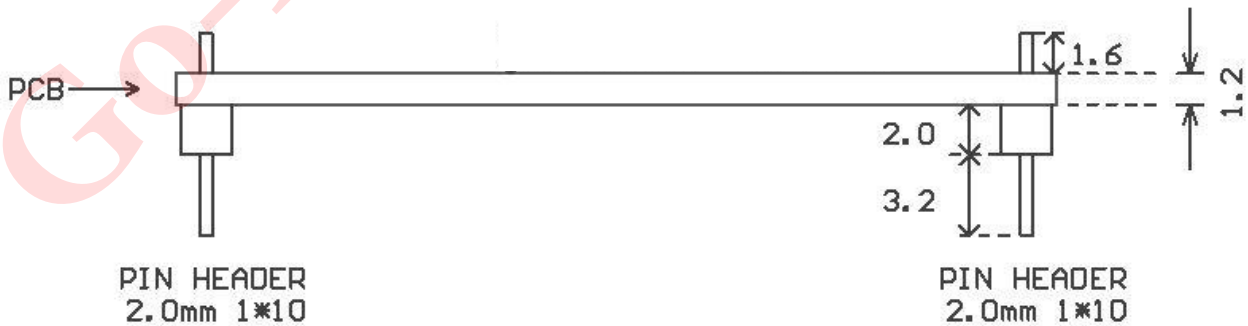
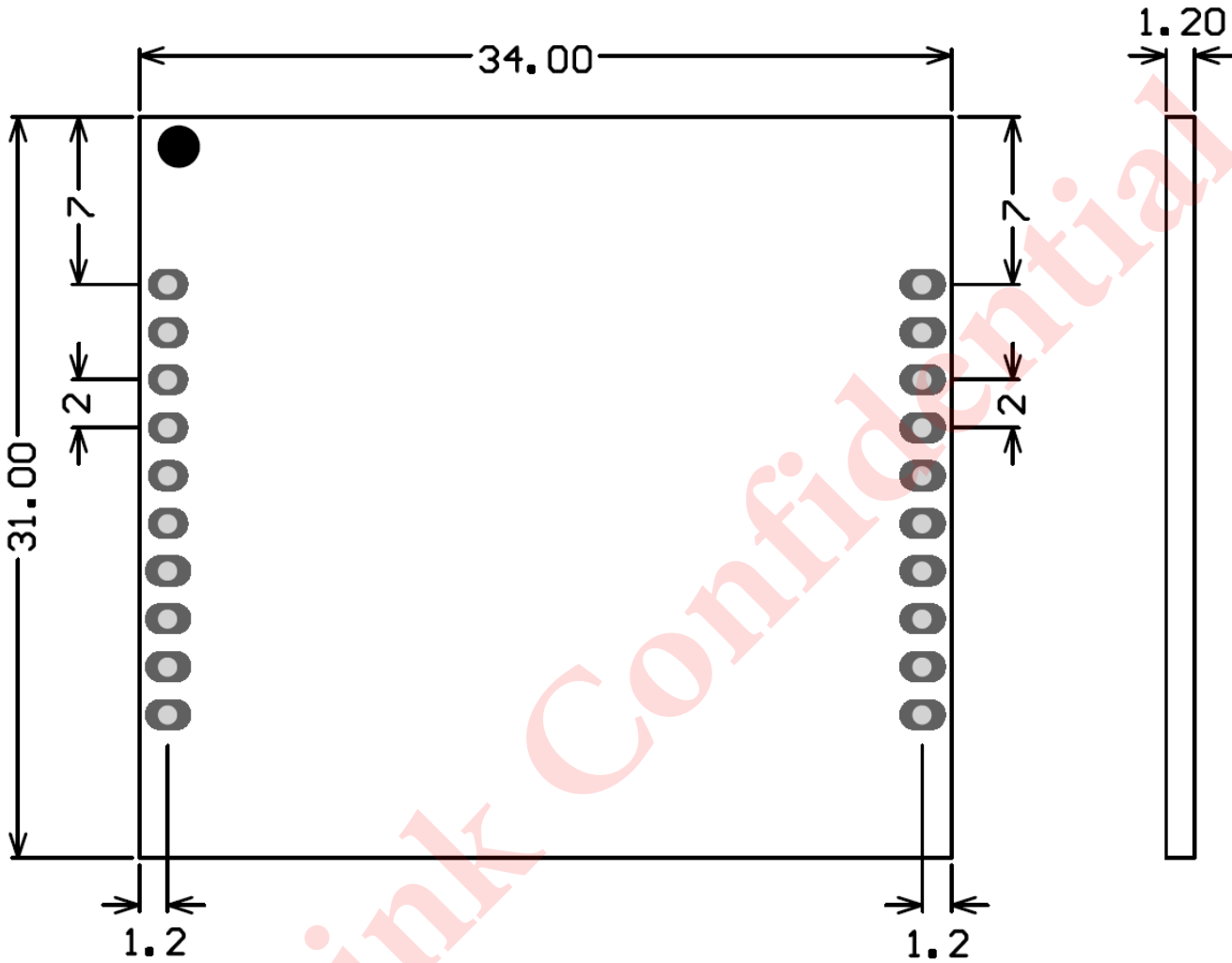
*Note 1 : PIN 17 & PIN 18 Using Dual color LED (Red / Green)
to Indicate Communication Quality Status as below table :

Red LED	Green LED	Communication Quality
OFF	ON	Good
ON	ON	Poor
ON	OFF	Bad
OFF	OFF	Fail (No Link)



5. Mechanical Specification

5.1 Dimension



Unit : mm

6. Application Circuit

