



高霖通訊科技有限公司  
Go-Link Technology Co., Ltd.

產品規格/承認書  
PRODUCT SPECIFICATION / APPROVAL SHEET

產品 5.8GHz 無線影像發射模組 ( 航模空拍機用 )  
Product : 5.8GHz 1 Video TX Module 20dBm ( 8 Group, 64 CH )

型號  
Model No. : MA58T2010N

客戶  
Customer :

客戶型號  
Customer Model No. :

		本承認書內容若貴公司確認無誤， 請於下方承認欄內簽章。 <b>Please confirm your acceptance of this approval sheet by authorized signatures.</b>	
		承認欄 <b>Approved Signature</b>	
版本 (Version)	V2.3		
日期 (Date)	2017/10/02		

# CONTENTS

1. General .....	3
2. Environmental Specification.....	3
3. Electrical Characteristics.....	4
RF Output Characteristic.....	4
4. Pin Assignment .....	5
5. Channel Selection.....	7
6. Mechanical Specification .....	8
7. Application CKT .....	9

# 1. General

No.	Items	Description
1	Operation Frequency Range	64 CH : 5330 MHz ~ 5945 MHz
2	Channel Group Selection ( 8 Group)	Group A : Boscom A / Richwave A Group B : Boscom B / Richwave B Group C : Richwave C Group E : DJI Group F : Fatshark / IRC / Airwave Group R : Raceband Group GLA : Go-Link A Group GLB : Go-Link B  Select by DIP Switch ( GP SW 1 ~ 3 ) See Table 1 & Table 2
3	Channel Selection ( 8 CH )	Select by DIP Switch ( CH SW 1 ~ 3 ) See Table 1 & Table 2
4	Video Modulation	FM
5	RF Antenna Port Impedance	50 $\Omega$

# 2. Environmental Specification

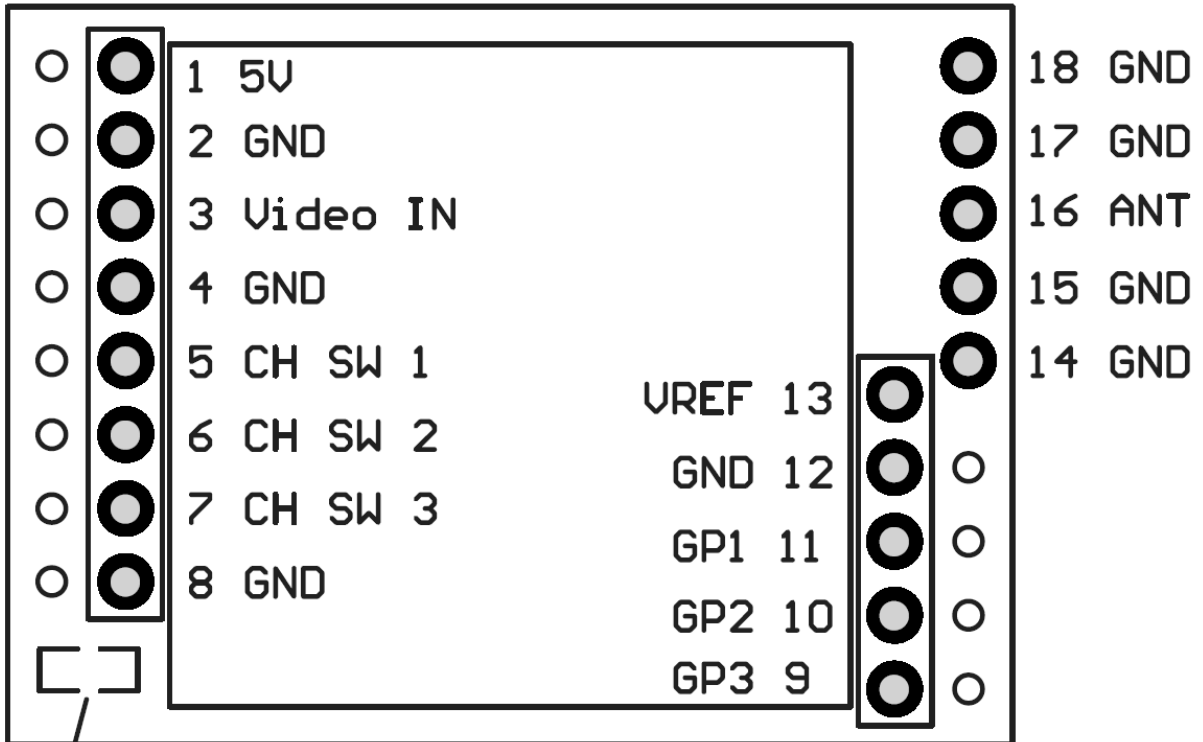
No.	Items	Min.	Typ.	Max.	Unit.
1	Operating Temperature	-10	-	+60	°C
2	Storage Temperature	-20	-	+70	°C

### 3. Electrical Characteristics

Testing Condition @ 25°C

No.	Items	Min.	Typ.	Max.	Unit.	Condition
1	Supply Voltage	4.0	5.0	5.25	V <sub>DC</sub>	
2	Current Consumption	-	350	500	mA	@ 50Ω Load
3	Video Input Impedance		75		Ω	
4	Video Input Level		1		Vp-p	
5	RF Output Characteristic					
5-1	TX Power	18	20	23	dBm	@ Power Stable

# 4. Pin Assignment



On Board System LED

Pin No.	Name	I / O	Function Description
1	5V	I	DC power input ( 4 ~ 5V )
2	GND	-	Ground
3	Video IN	I	Video IN
4	GND	-	Ground
5	CH SW1	I	Channel Setting Switch 1
6	CH SW2	I	Channel Setting Switch 2
7	CH SW3	I	Channel Setting Switch 3
8	GND	-	Ground
9	GP 3	I	Group Setting Switch 3

10	GP 2	I	Group Setting Switch 2
11	GP 1	I	Group Setting Switch 1
12	GND	-	Ground
13	VREF	I/O	Power Setting Open : 20dBm 200Ω to GND : < 14dBm ( CE ) 0Ω to GND : < 0 dBm ( FCC )
14	GND	-	Ground ( No pin header )
15	GND	-	Ground ( No pin header )
16	ANT	O	RF Output ( No pin header )
17	GND	-	Ground ( No pin header )
18	GND	-	Ground ( No pin header )



# 5. Channel Selection

**Table 1 : Frequency Table**

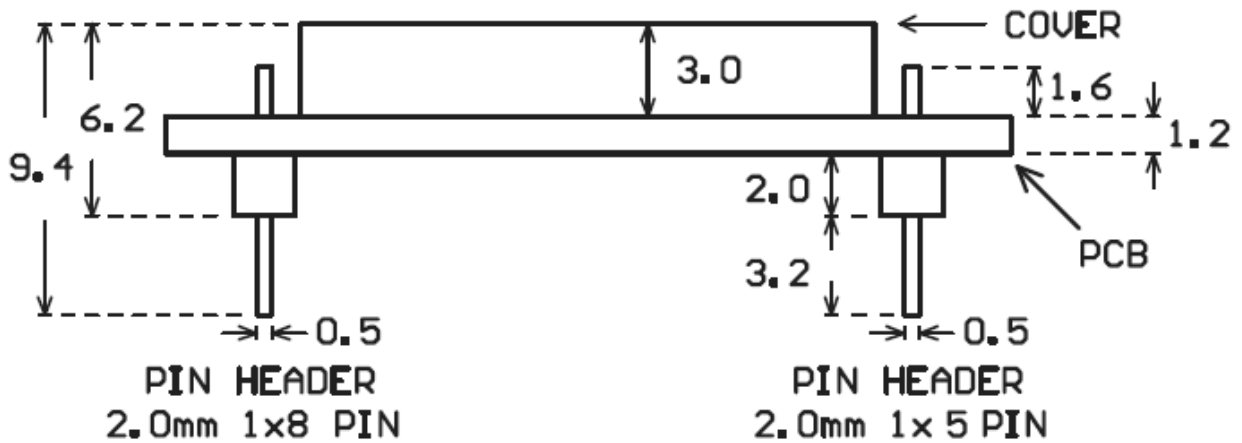
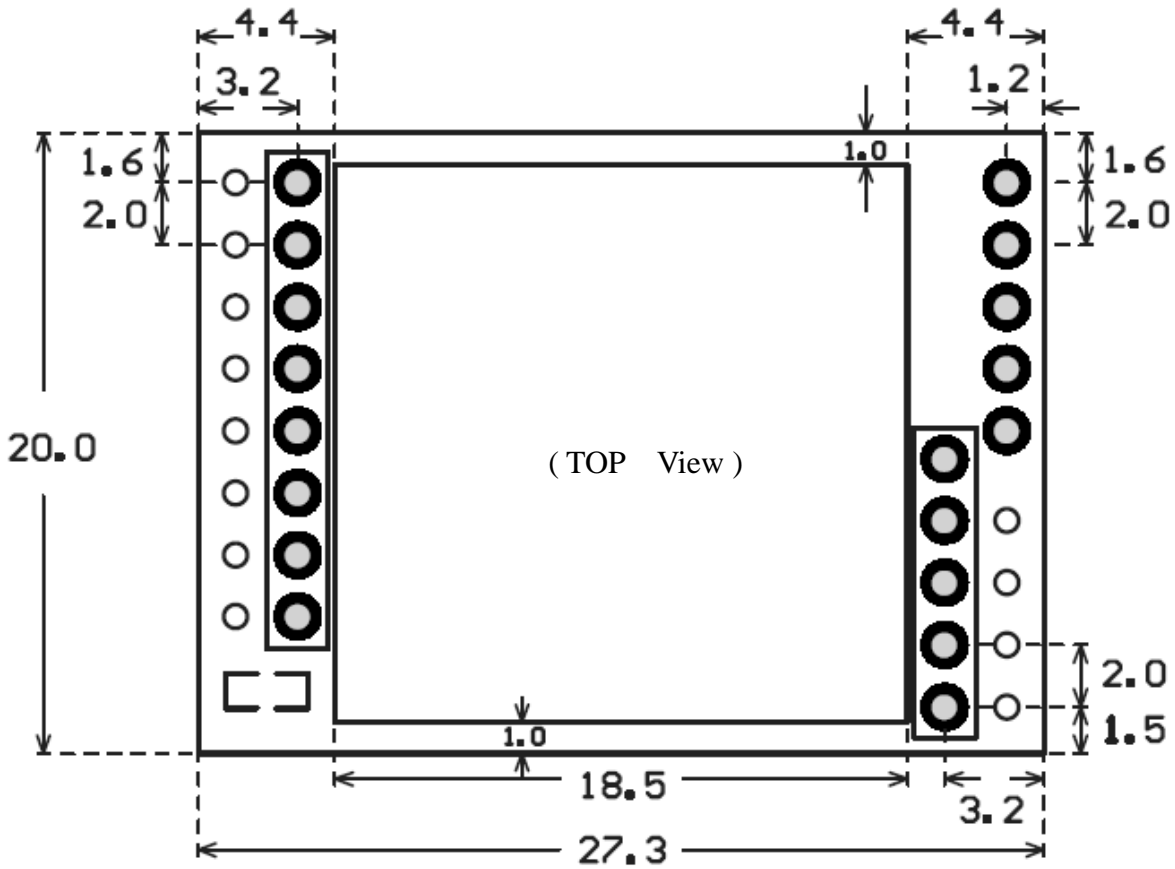
Group Channel	A ( MHz )	B ( MHz )	E ( MHz )	F ( MHz )	R ( MHz )	C ( MHz )	GLA ( MHz )	GLB ( MHz )
CH1	5865	5733	5705	5740	5658	5705	5330	5490
CH2	5845	5752	5685	5760	5695	5685	5350	5510
CH3	5825	5771	5665	5780	5732	5665	5370	5530
CH4	5805	5790	5665	5800	5769	5645	5390	5550
CH5	5785	5809	5885	5820	5806	5885	5410	5570
CH6	5765	5828	5905	5840	5843	5905	5430	5590
CH7	5745	5847	5905	5860	5880	5925	5450	5610
CH8	5725	5866	5905	5880	5917	5945	5470	5630

**Table 2 : Channel & Group Setting**

Channel setting			
Channel	CH SW1 ( Pin 5 )	CH SW2 ( Pin 6 )	CH SW3 ( Pin 7 )
CH1	OPEN	OPEN	OPEN
CH2	OPEN	OPEN	GND
CH3	OPEN	GND	OPEN
CH4	OPEN	GND	GND
CH5	GND	OPEN	OPEN
CH6	GND	OPEN	GND
CH7	GND	GND	OPEN
CH8	GND	GND	GND

Group setting			
Group	GP 1 ( Pin 11 )	GP 2 ( Pin 10 )	GP 3 ( Pin 9 )
A	OPEN	OPEN	OPEN
B	OPEN	OPEN	GND
E	OPEN	GND	OPEN
F	OPEN	GND	GND
R	GND	OPEN	OPEN
C	GND	OPEN	GND
GLA	GND	GND	OPEN
GLB	GND	GND	GND

# 6. Mechanical Specification



Unit : mm



# 7. Application CKT

