



高霖通訊科技有限公司  
Go-Link Technology Co., Ltd.

產品規格/承認書  
PRODUCT SPECIFICATION / APPROVAL SHEET

產品 5.8GHz 無線影像發射模組 ( 航模空拍機用 )  
Product : 5.8GHz 1 Video TX Module 14dBm / 20dBm

型號  
Model No. : MA58T2010M

客戶  
Customer :

客戶型號  
Customer Model No. :

		本承認書內容若貴公司確認無誤， 請於下方承認欄內簽章。 <b>Please confirm your acceptance of this approval sheet by authorized signatures.</b>	
		承認欄 <b>Approved Signature</b>	
版本 ( Version )	V2.0		
日期 ( Date )	2017/10/03		

# CONTENTS

1. General .....	3
2. Environmental Specification .....	3
3. Electrical Characteristics .....	3
4. Pin Assignment.....	4
5. Channel & Band Setting .....	6
6. Mechanical Specification .....	7
7. Application Circuit.....	8

# 1. General

No.	Items	Description
1	Operation Frequency Range	IN Band : 5733 MHz ~ 5866 MHz OUT Band : 5645 MHz ~ 5705 MHz 5885 MHz ~ 5945 MHz
2	Channel Selection ( 8 CH )	Select by DIP Switch ( CH SW 1 ~ 3 ) See Table 1
3	Video Modulation	FM
4	RF Antenna Port Impedance	50 $\Omega$

# 2. Environmental Specification

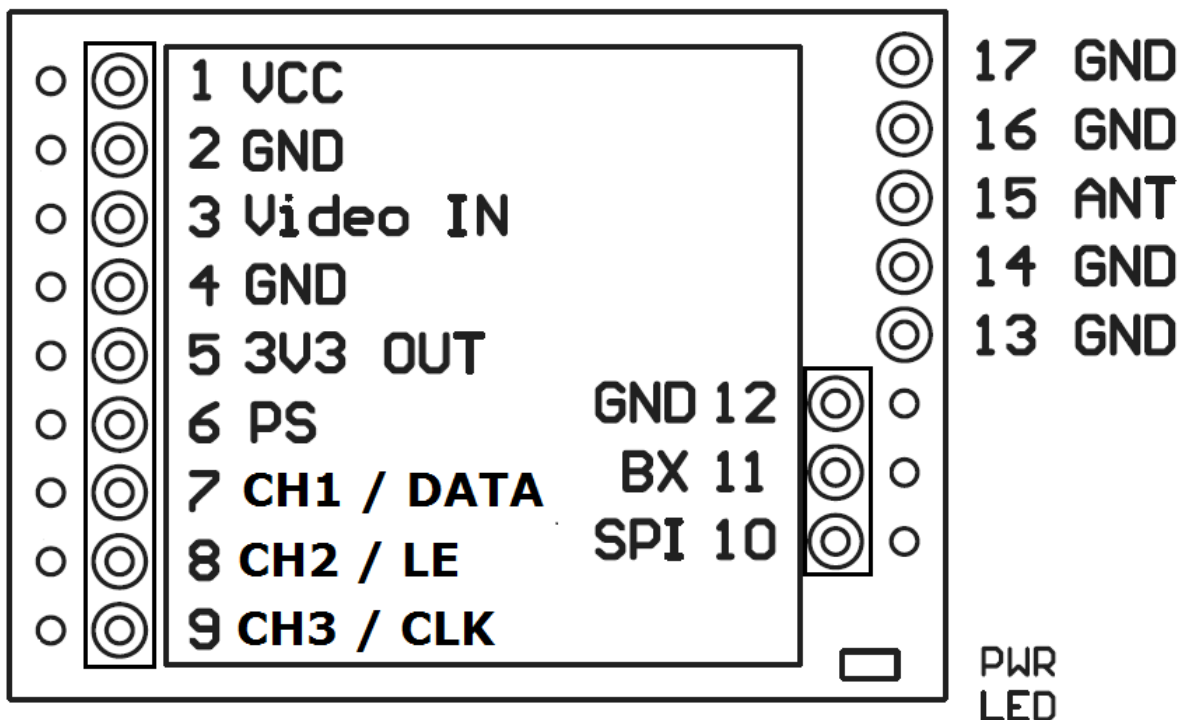
No.	Items	Min.	Typ.	Max.	Unit.
1	Operating Temperature	-10	-	+60	$^{\circ}\text{C}$
2	Storage Temperature	-20	-	+70	$^{\circ}\text{C}$

# 3. Electrical Characteristics

Testing Condition @ 25 $^{\circ}\text{C}$

No.	Items	Min.	Typ.	Max.	Unit.	Condition
1	Supply Voltage	4.0	5.0	5.25	V	
2	Current Consumption		230	260	mA	@ PS = OPEN , 25mW Mode
			350	500	mA	@ PS = GND , 100mW Mode
3	RF Output Power	12	14		dBm	@ PS = OPEN , 25mW Mode
		18	20	23	dBm	@ PS = GND , 100mW Mode
4	Video Input Impedance		75		$\Omega$	
5	Video Input Level		1		Vp-p	

# 4. Pin Assignment



Pin No.	Name	I / O	Function Description
1	VCC	I	DC power input ( 4 ~ 5V )
2	GND	-	Ground
3	Video IN	I	Video IN
4	GND	-	Ground
5	3V3 OUT	O	3.3V DC Output / 40mA max. ( for external CMOS Camera )
6	PS	I	RF Power Setting Hi ( open ) : 14dBm Low ( short to GND ) : 20dBm
7	CH1 / DATA	I	Channel setting 1 or SPI data input
8	CH2 / LE	I	Channel setting 2 or SPI data enable input
9	CH3 / CLK	I	Channel setting 3 or SPI clock input

10	SPI	I	SPI Mode Setting Hi ( open ) : SPI Mode Low ( short to GND ) : DIP Switch Mode
11	BX	I	IN BAND / OUT BAND Setting ( See Table 1 )
12	GND	-	Ground
13	GND	-	Ground ( No pin header )
14	GND	-	Ground ( No pin header )
15	ANT	O	RF Output ( No pin header )
16	GND	-	Ground ( No pin header )
17	GND	-	Ground ( No pin header )

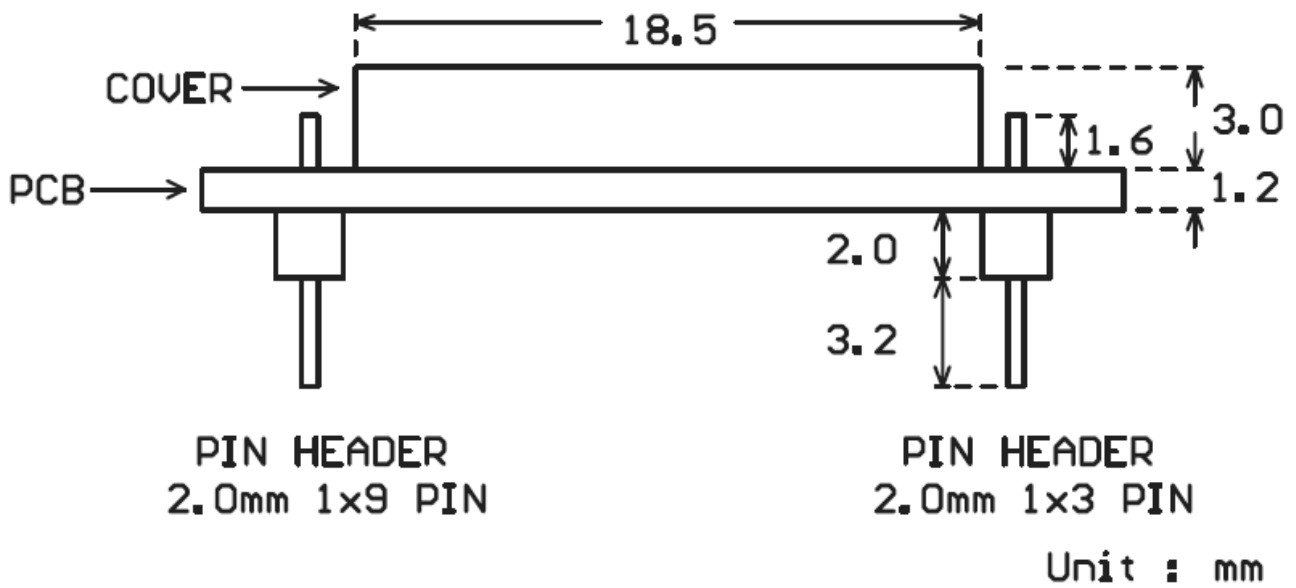
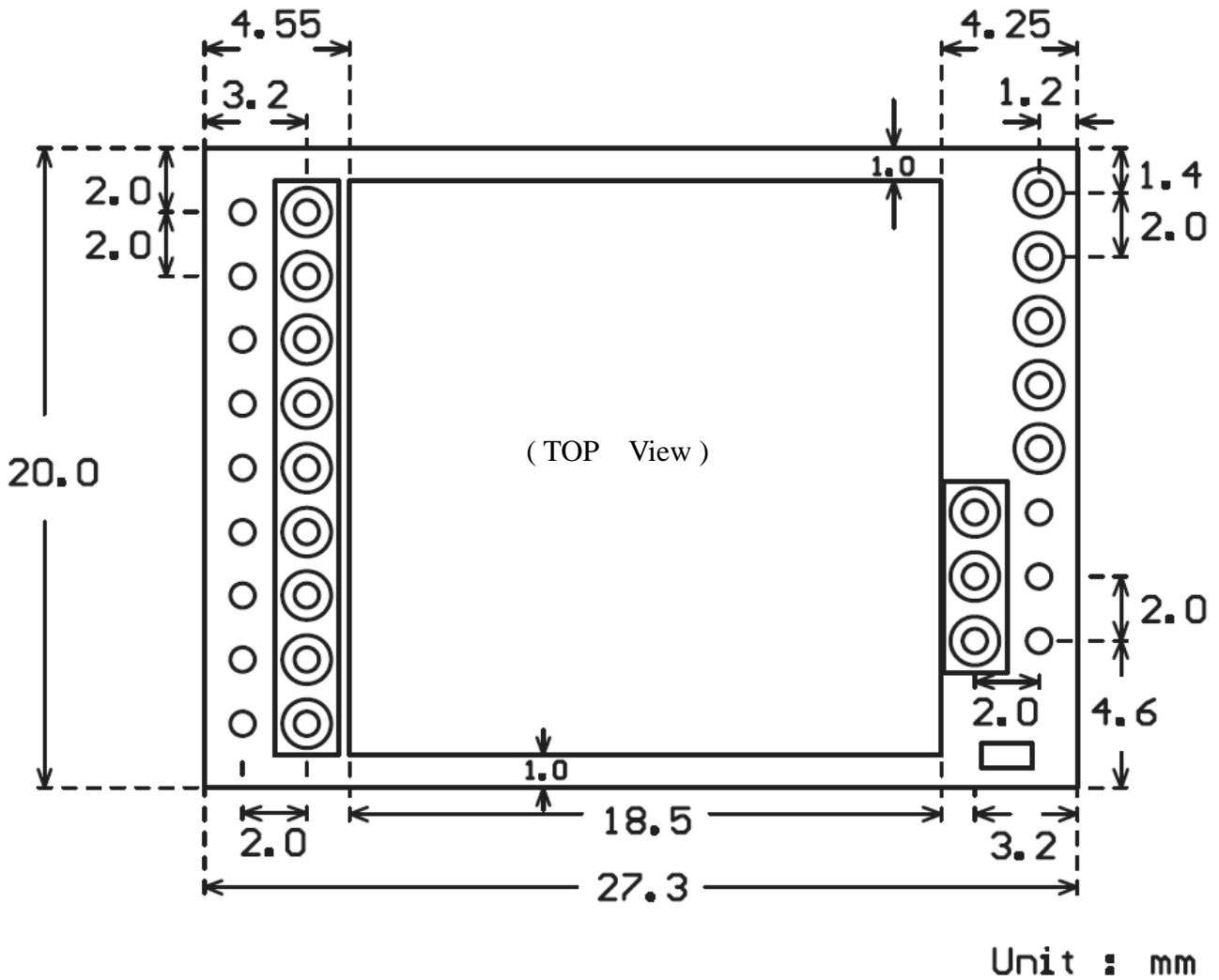


## 5. Channel & Band Setting

Table 1 :

Channel setting				IN Band ( MHz )	OUT Band ( MHz )
Channel NO.	CH 1 ( Pin 7 )	CH 2 ( Pin 8 )	CH 3 ( Pin 9 )	BX = GND ( Pin 11 )	BX = Open ( Pin 11 )
CH1	GND	GND	GND	5733	5705
CH2	OPEN	GND	GND	5752	5685
CH3	GND	OPEN	GND	5771	5665
CH4	OPEN	OPEN	GND	5790	5645
CH5	GND	GND	OPEN	5809	5885
CH6	OPEN	GND	OPEN	5828	5905
CH7	GND	OPEN	OPEN	5847	5925
CH8	OPEN	OPEN	OPEN	5866	5945

# 6. Mechanical Specification



# 7. Application Circuit

