



高霖通訊科技有限公司
Go-Link Technology Co., Ltd.

產品規格/承認書
PRODUCT SPECIFICATION / APPROVAL SHEET

產品 : 2.4GHz 類比無線發射模組
Product : 2.4GHz A/V TX module (10dBm)

型號
Model No. : GL1922T1012N

客戶
Customer :

客戶型號
Customer Model No. :

		本承認書內容若貴公司確認無誤， 請於下方承認欄內簽章。 Please confirm your acceptance of this approval sheet by authorized signatures.	
		承認欄 Approved Signature	
版本 (Version)	V1.0		
日期 (Date)	2017/02/21		

CONTENTS

1. General	3
2. Environmental Specification	3
3. Electrical Characteristics	4
3.1 DC Characteristics	4
3.2 Video Characteristics	4
3.3 Audio Characteristics	4
3.4 RF Output Characteristic	4
4. Pin Assignment	5
5. Channel Selection	6
6. Mechanical Specification	7
6.1 Dimension	7
6.2 Application CKT	8

1. General

No.	Items		
1	Operation Frequency Range	2400MHz ~ 2483 MHz	
2	Channel Selection (PLL Synthesizer, 4 CH)	IN Band	CH1 : 2414 MHz
			CH2 : 2432 MHz
			CH3 : 2450 MHz
			CH4 : 2468 MHz
		OUT Band	CH1 : 2490 MHz
			CH2 : 2510 MHz
			CH3 : 2390 MHz
			CH4 : 2370 MHz
3	Video Modulation	FM	
4	Audio Modulation	FM-FM	
5	RF Antenna Port Impedance	50 Ω	

2. Environmental Specification

No.	Items	Min.	Typ.	Max.	Unit.
1	Operating Temperature	-10	-	+60	°C

3. Electrical Characteristics

Testing Condition @ 25°C

3.1 DC Characteristics

No.	Items	Min.	Typ.	Max.	Unit.
1	Supply Voltage		5.0		V _{DC}
2	Current Consumption	50	58	65	mA

3.2 Video Characteristics

No.	Items	Min.	Typ.	Max.	Unit.	Condition
1	Input Impedance		75		Ω	
2	Input Level	0.9		1.3	Vp-p	

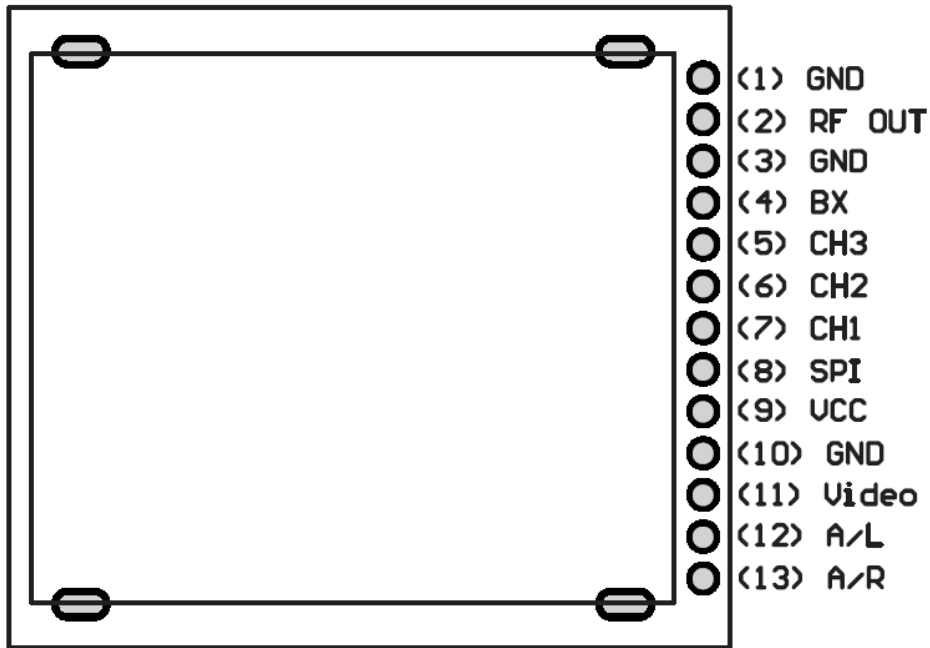
3.3 Audio Characteristics

No.	Items	Min.	Typ.	Max.	Unit.	Condition
1	Input Impedance		10		KΩ	
2	Input Level	1.7	2	2.3	Vp-p	

3.4 RF Output Characteristic

No.	Items	Min.	Typ.	Max.	Unit.	Condition
1	TX Power	8	10	12	dBm	
2	Audio Sub-carrier Level		27		dBc	
3	Audio Sub-carrier (L Channel)		6.5		MHz	
4	Audio Sub-carrier (R Channel)		6.0		MHz	

4. Pin Assignment



Pin No.	Name	I / O	Function Description
1	GND	-	Ground
2	RF OUT	O	RF Output
3	GND	-	Ground
4	BX	I	OPEN : Out Band Short to GND : In Band
5	CH3	I	Channel setting
6	CH2	I	Channel setting
7	CH1	I	Channel setting
8	SPI	I	OPEN : SPI Mode Short to GND : DIP Switch Mode
9	VCC	I	DC 5V Input
10	GND	-	Ground
11	Video	I	Video input
12	A / L	I	Audio L channel input
13	A / R	I	Audio R channel input

5. Channel Selection

In Band Setting (Table 1)

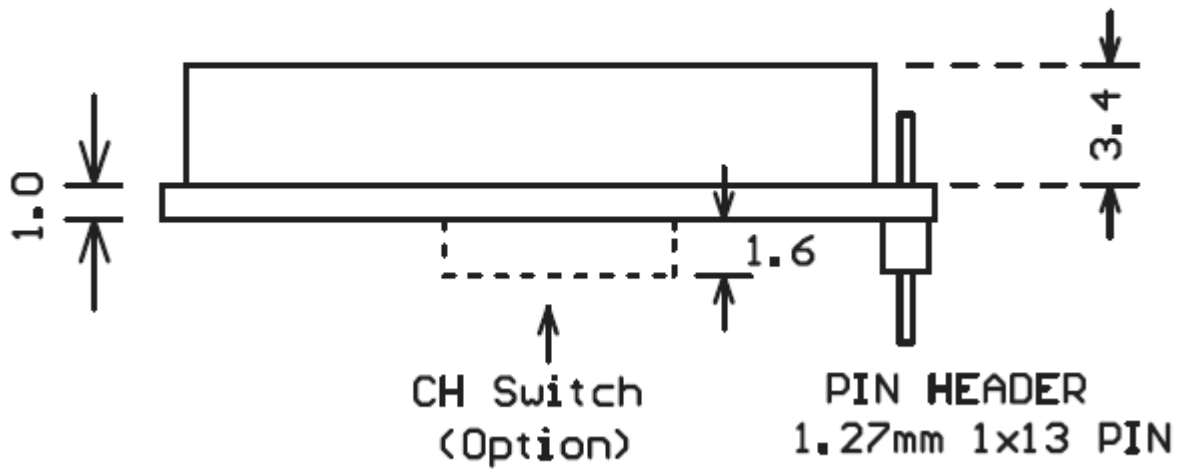
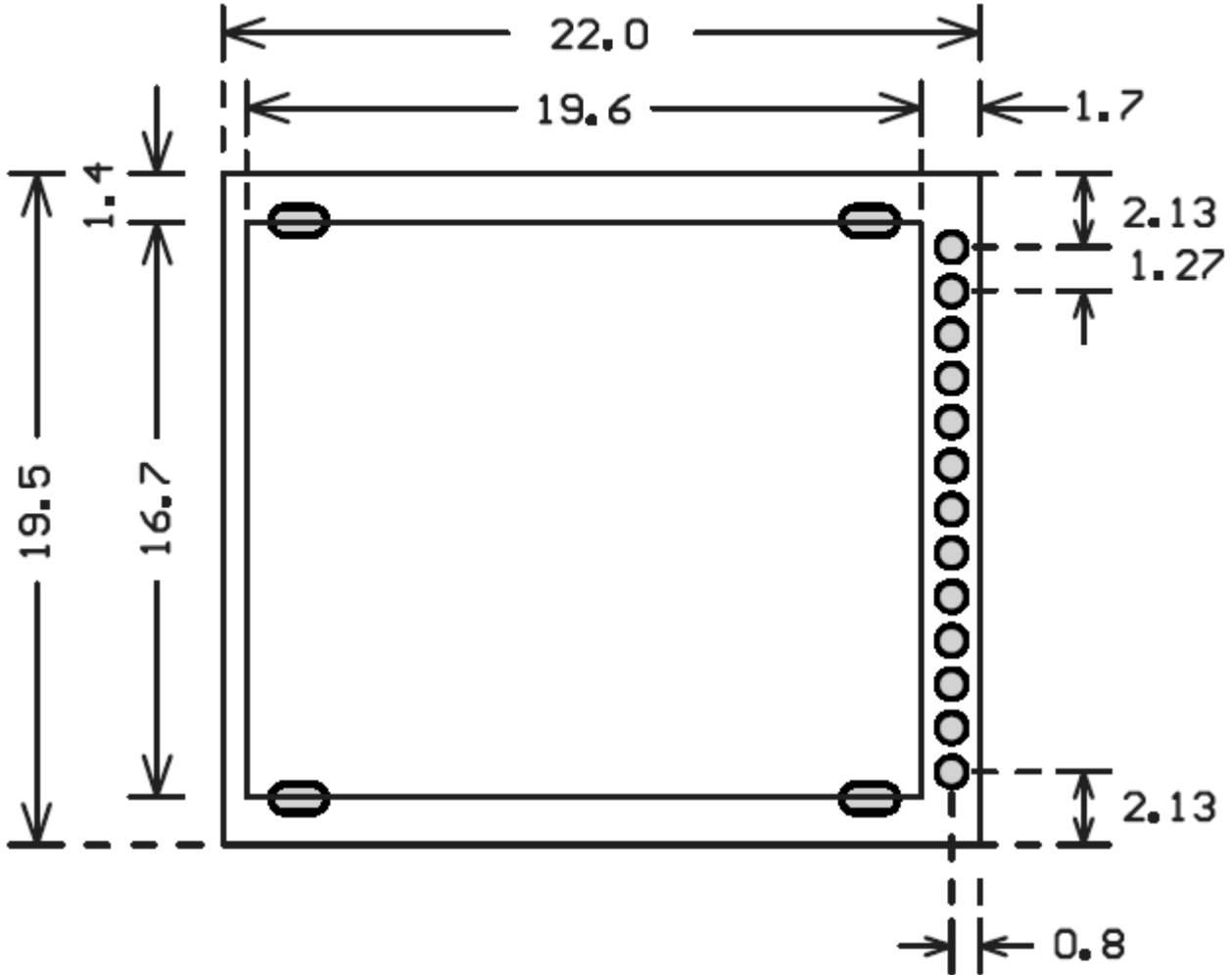
Channel / Freq.	CH1 (Pin 7)	CH2 (Pin 6)	CH3 (Pin 5)	BX (Pin 4)
CH1 : 2414 MHz	GND	OPEN	OPEN	GND
CH2 : 2432 MHz	OPEN	GND	OPEN	GND
CH3 : 2450 MHz	OPEN	OPEN	GND	GND
CH4 : 2468 MHz	OPEN	OPEN	OPEN	GND

Out Band Setting (Table 2)

Channel / Freq.	CH1 (Pin 7)	CH2 (Pin 6)	CH3 (Pin 5)	BX (Pin 4)
CH1 : 2490 MHz	GND	OPEN	OPEN	OPEN
CH2 : 2510 MHz	OPEN	GND	OPEN	OPEN
CH3 : 2390 MHz	OPEN	OPEN	GND	OPEN
CH4 : 2370 MHz	OPEN	OPEN	OPEN	OPEN

6. Mechanical Specification

6.1 Dimension



Unit:mm

6.2 Application CKT

